

The Trévi above ground pool

Available models and sizes

Complete kits ready to install

20

ABOVE GROUND POOLS

The Trévi pool



COMPOSITION

- Corrugated steel wall for greater sturdiness.
- Resin uprights.
- Resin safety top seats.
- Polymer wall coating to protect against corrosion and oxidation.
- Galvanized bottom "Secur-lock" track.

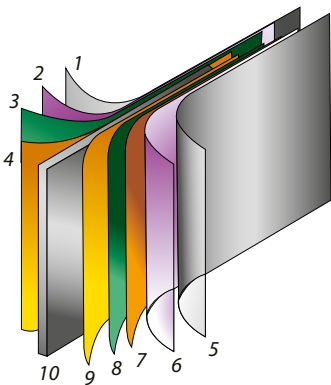
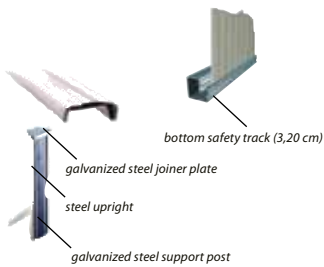
SPECIAL FEATURES

Superior top seat quality, made of synthetic resin. UV treatment against discoloration and a molecular memory to prevent warping.

Unique double pool support post and stay assemblies designed for superior strength on the straight side of 209 oval pool.

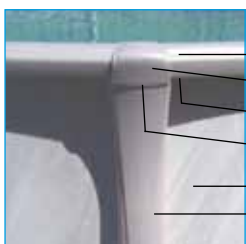
Bottom "secure-lock" safety track of galvanized steel guarantees the stability of the pool.

Buttressless upright with invisible support for the straight sides of the oval pool.



STEEL WALL COMPONENTS

1. Plasticized SP coating
2. Molten zinc coat
3. Primer coat
4. Application of an alkaline solution to cleanse the oxides
5. Ultra-resistant polymer
6. Heat-hardened inlay
7. Primer coat
8. Chromate anti-rust coat
9. Application of an alkaline solution to cleanse the oxides
10. Steel wall core



STRUCTURAL ELEMENTS

1. 18 cm resin top seat
2. Resin seat cap
3. Polymer and steel coping
4. Steel joint plate
5. 1,32 m steel wall
6. Resin upright

TREVICLIP

Exclusive liner locking system, prevents liner setback in case of movements and increases overall stability



Differences between model 209 and 205

- 209 has a larger bottom safety track, 3,20 cm for 1,90cm on the 205 model.
- Uprights are made by injection for 209 and extrusion for 205
- Different liner : 209 – 60/100 and 205 – 50/100
- Same height for 209 and 205 – 1,32m

Trévi pool Standard 205

- Liner blue 50/100 type overlap
- Steel wall – as available

Reference	Description	Price
	ROUND	
3017016025	Ø 3,66 m (12')	
3017016018	Ø 4,57 m (15')	
3017016019	Ø 5,48 m (18')	
3017016020	Ø 6,40 m (21')	



ROUND

Trévi pool Deluxe 209

- Liner illusion blue 60/100 type U-bead
- Steel wall – as available

Reference	Description	Price
	ROUND	
3017012023	Ø 3,66 m (12')	
3017012116	Ø 4,57 m (15')	
3017012118	Ø 5,48 m (18')	
3017012119	Ø 6,40 m (21')	
3017012121	Ø 7,31 m (24')	
	OVAL	
3017012122	7,31 m x 3,66 m (24' x 12')	
3017012123	9,14 m x 4,57 m (30' x 15')	
3017012124	10,05 m x 5,48 m (33' x 18')	



OVAL

PROTECTIVE FELT

Reference	Description	Thickn. (mm)	Width (m)	Length (m)	Weight	Price/ roll
3024022278	Polyester Felt Grey	3,2	2	50	500g/m ²	

POLYSTYRENE COVING

Reference	Description	Price /bag 60pcs
3037005370	Polystyrene coving Flexible connections per 0,78m	

